

## Raindance E

**Overhead shower 300 1jet EcoSmart 9 l/min with shower arm**

Surfaces: **chrome** Art. no. : **26239000**



### Description

#### product features

- Consists of: overhead shower, shower arm
- Shower head size: 300 x 300 mm
- Spray pattern: RainAir
- Ball-joint: overhead shower angle adjustable
- Spray face: metal
- Shower arm length 390 mm
- maximum flow rate 9 l/min at 3 bar
- flow rate RainAir 8 l/min at 3 bar
- Operating pressure: min. 1.5 bar/max. 6 bar
- spray disc removable for cleaning
- Installation: wall
- Connection thread 1/2"
- WRAS 1809002
- WRAS 1809002
- WRAS 1809002 - Approval letter

### Article Details

Price excl. VAT

£ 695.50

### Technology



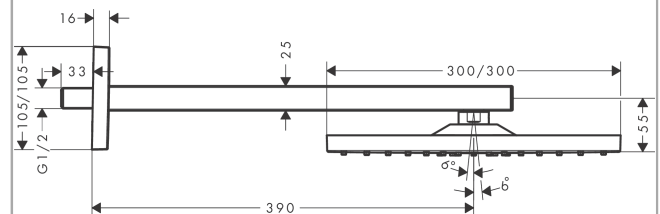
### Certificates



### Product image



### Scale drawing



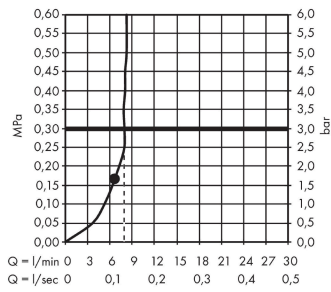
**Raindance E**

**Overhead shower 300 1jet EcoSmart 9 l/min with shower arm**

Surfaces: **chrome** Art. no. : **26239000**



**Flowchart**



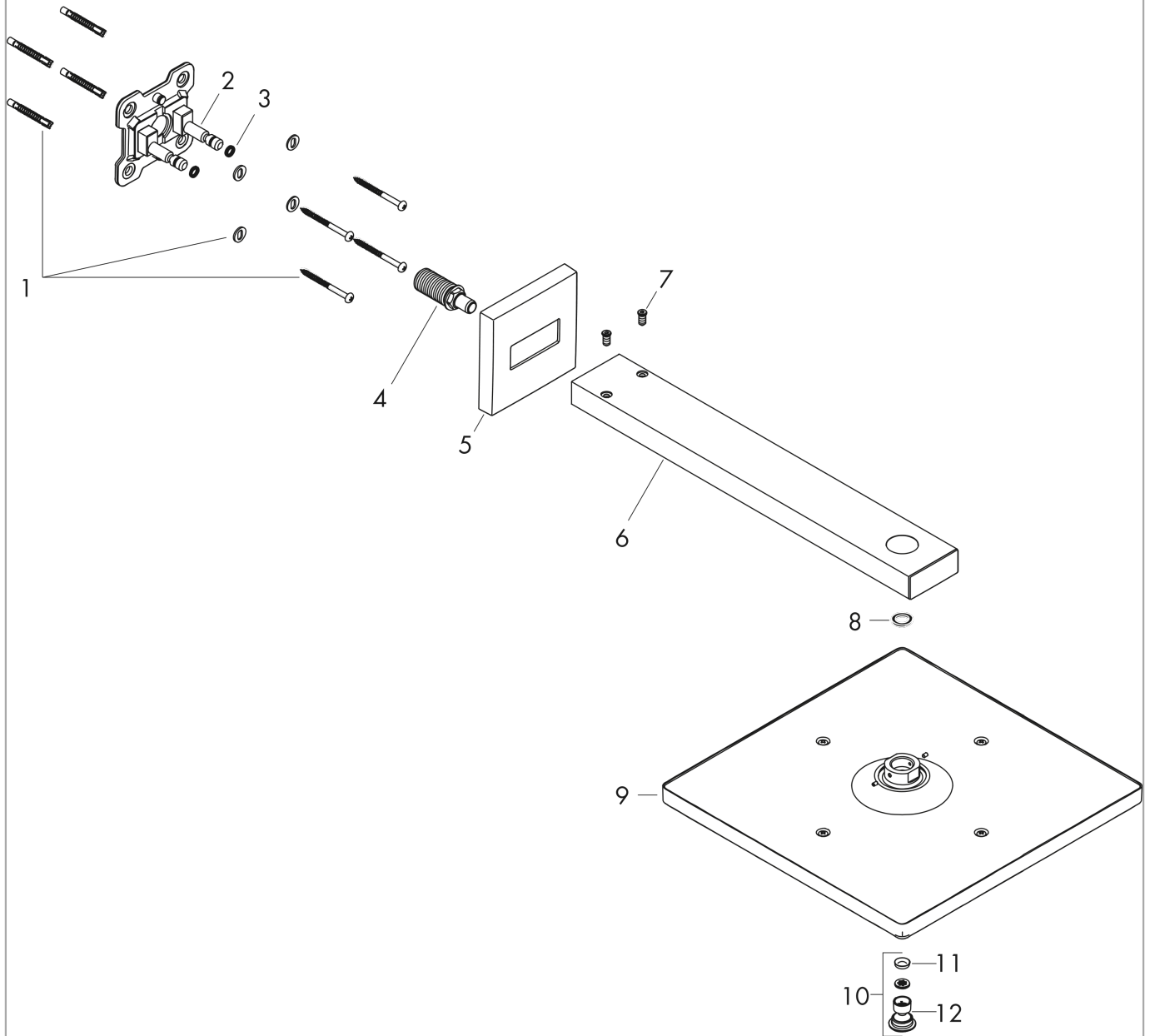
The consumption was measured in combination with the appropriate fittings (thermostat/mixer/in-wall valve) to reflect actual application in practice.

**Raindance E**  
**Overhead shower 300 1jet EcoSmart 9 l/min with shower arm**  
 Surfaces: **chrome** Art. no. : **26239000**



**Exploded Drawing**

Year of production: >10/17



## Raindance E

Overhead shower 300 1jet EcoSmart 9 l/min with shower arm

Surfaces: **chrome** Art. no. : **26239000**



### Spare part list

Year of production: >10/17

| Pos. | Description       | Art. no. | Price | PU |
|------|-------------------|----------|-------|----|
| 1    | mounting set      | 96179000 | -     | 1  |
| 2    | wall flange       | 93441000 | -     | 1  |
| 3    | O-ring 6x2        | 98458000 | -     | 1  |
| 4    | connecting thread | 93416000 | -     | 1  |
| 5    | escutcheon        | 93126000 | -     | 1  |
| 6    | shower arm        | 93221000 | -     | 1  |
| 7    | screw             | 93431000 | -     | 1  |
| 8    | seal              | 98058000 | -     | 1  |
| 9    | head shower       | 93220000 | -     | 1  |
| 10   | air jet (Eco)     | 93137000 | -     | 1  |
| 11   | filter            | 93128000 | -     | 1  |
| 12   | O-ring 15x2       | 98163000 | -     | 1  |