



Data Sheet



VELTIA® an innovative hand dryer that operates without using any sort of heating element. Operation is automatic once hands are placed in the drying chamber. Move hands slowly in and out and allow the three blades of air to dry your hands while excess water is collected within the antibacterial impregnated water tray located at the base of the hand dryer.

Veltia offers the option of **ZEROSMELL®** (sold separately), a simple gel pack which lasts for 3 months and neutralises bad odours and produces a slight pleasant fragrance each time the hand dryer is used.

VELTIA® is ideal for washrooms with medium and high number of users per day.

Patent Number: **WO / 2006 / 042896**

TECHNICAL, ENVIRONMENTAL AND MECHANICAL SPECIFICATIONS

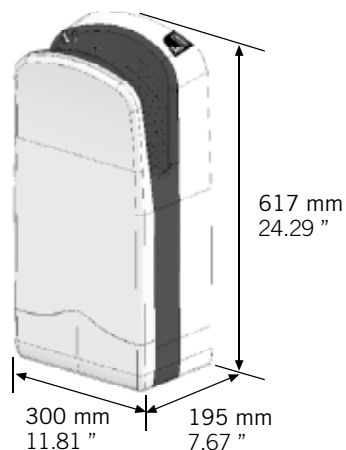
MODEL:	240V	120V
Voltage	220/230/240V~	110/120V~
Frequency	50/60 Hz	50/60 Hz
Power consumption	1.760 W	1.749 W
Current (Running)	8.0A @ 230Vac	15.9A @ 120Vac
Electrical Isolation	Class II	Class II
Air Speed	347 Km/h (215.6 Mph)	347 Km/h (215.6 Mph)
Average Drying Time	10 s	10 s
Dimensions	300 x 195 x 617 (mm)	300 x 195 x 617 (mm)
	11.81x7.67x24.29 (inches)	11.81x7.67x24.29 (inches)
Weight	9.55 Kg (21.1 Lb)	9.55 Kg (21.1 Lb)
IP Code	IPX1	IPX1
Noise (@ 2 mt)	75 dB	75 dB
Number of Motors	2	2
Motors Speed	30.000 rpm	30.000 rpm
Motors Driving System	Soft Starting	Soft Starting
Hands Detection System	IR - Barrier	IR - Barrier

MATERIALS

Housing case and water tank made of High impact 2.6mm thick ABS with antibacterial protection in drying area
All plastic pieces are properly prepared for recycling

In 120 V units, internal parts are contained by fire retardant plastic rated 5VA according to directive UL94
VELTIA complies with following directives: ROHS (Restriction of Hazardous Substances) and RAE (Collection of electrical and electronic equipment and waste management)

DIMENSIONS



CERTIFICATIONS

CE Conformity Declaration (*), CB Test Certificate

(*) According to European Directives: Low Voltage Directive (LVD) 2006/95/CE and Electromagnetic Compatibility Directive (EMC) 2004/108/CE

Other Certifications:
ANCE NOM (Mexico)
SABS (South Africa)
UL (US and Canada) (**)

(**) According to Standards for Safety: UL 507, Electric Fans, 9th. Edition and C22.2 No.113-M1984, Fans and Ventilators.

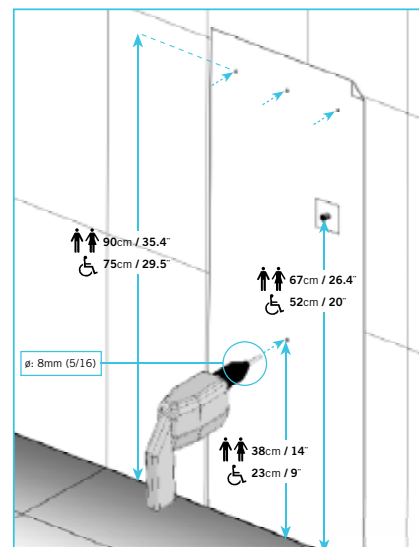
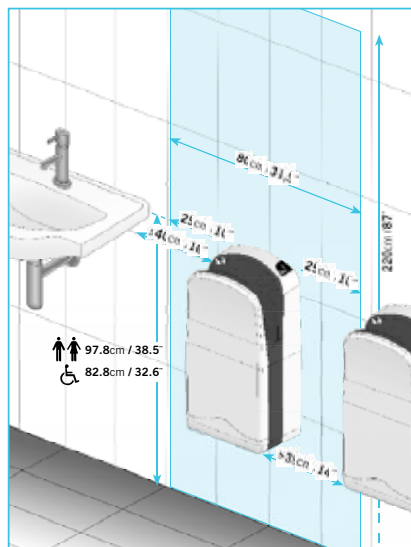
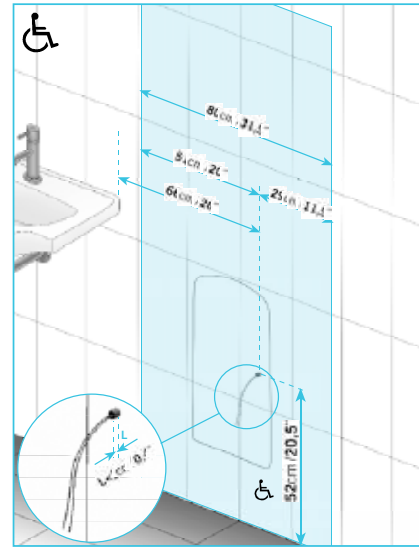
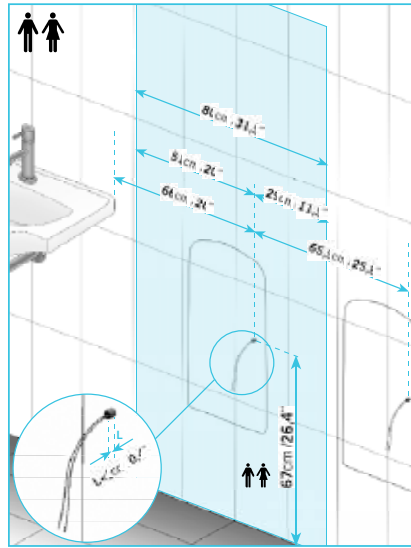
Product information subject to changes without further notice			
Rev.:1.1	July 2011	VELTEK SYSTEMS S.L.	1/2



Data Sheet



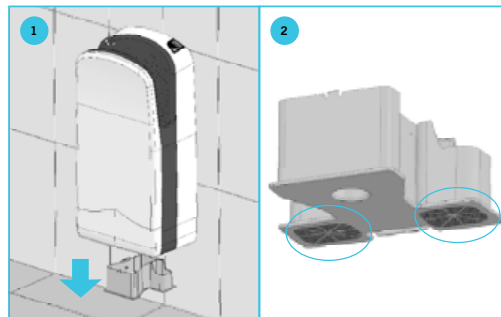
RECOMENDED HEIGHTS FOR INSTALLATION



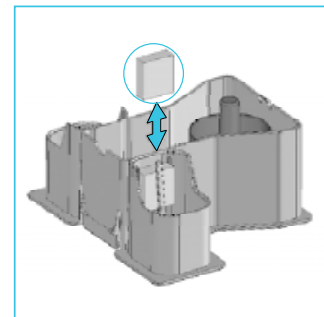
MAINTENANCE



Warning: Water tank full; must be emptied.



Air Filters: To be checked often and cleaned if necessary.



ZeroSmell®: Must be changed every 3 months.



Product information subject to changes without further notice

Rev.:1.1

July 2011

VELTEK SYSTEMS S.L.

2/2