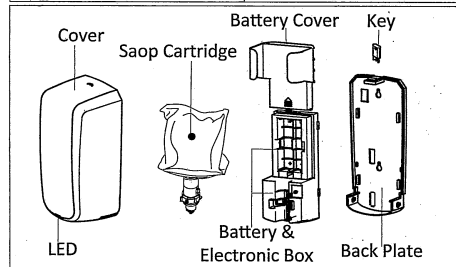


**1. Specifications:**

Dimensions (WxHxD)	278 x 130 x 120mm
Cartridge Capacity	1000ml
Battery	C size 1.5 x 4pcs Alkaline
Detection Range	~10cm
Room Temperature	4~40℃
Dispensed Soap Quantity	~0.4ml
Applicable Soap Type	Foam Formulation

**2. Item List:**

Item	Description	Q'ty
1	Soap Dispenser	1
2	Installation Manual	1
3	Key	1
4	Plastic Anchor	3
5	Mounting Screw	3

**3. Installation Step:**

## ◆ Before Installation:

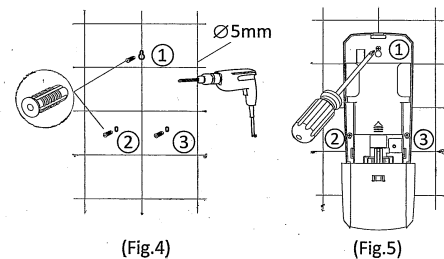
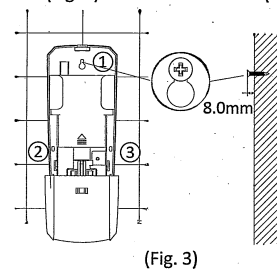
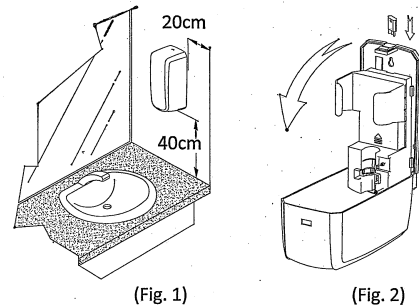
1. Check if surface of wall is smooth and clean.
2. Note the distance between to dispenser from counter top must be >40cm (As show in Fig. 1)

## ◆ Installation Steps:

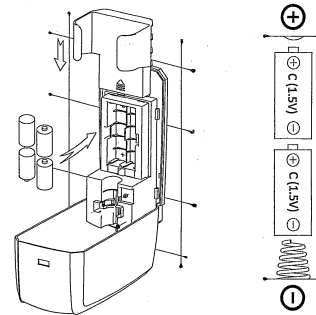
1. Use key to unlock and remove the soap dispenser casing. ( Fig. 2)
2. Mark the location on the wall with a pencil. Use the Soap dispenser to mark the location for the fixing point ①. (Fig. 3)
3. Drill holes at the marking point ①.  $\varnothing 5\text{mm}$  Insert plastic anchor. (Fig. 4)
4. Insert screw in to anchors. Screw reserved 8mm . (Fig. 3)
5. Put soap dispenser on the wall, after aligning with fixed hole, move the soap dispenser downward to make the ear-shaped hole or soap dispenser buckle fastening.
6. Mark the location for the fixing point ②&③ . Remove dispenser, Drill holes at the marking point ②&③ . Insert plastic anchor. (Fig 3&4)
7. Put soap dispenser on the wall and two screw in to anchors, and fully screw in. (Fig. 6)

## ◆ Option:Tape Installation (Adhesive on Mirror)

1. Clean installation surface with isopropyl alcohol
2. Peel paper off of installation tape located on back of dispenser.
3. Use silicon glue on back of dispenser and press dispenser firmly onto mounting surface by applying pressure to the inside of backplate for 30 seconds. Do not load refill for at least 10 hours.



7. Remove the Battery cartridge cover, load 4 pcs Alkaline C size 1.5V batteries into it, and close battery cover. (Fig. 6)



(Fig. 6)

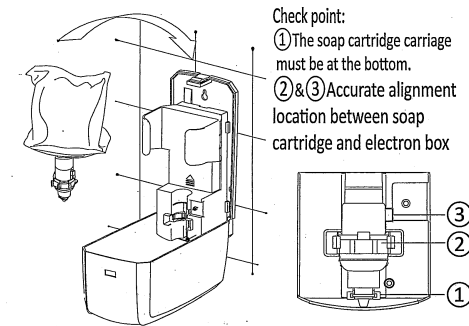
**Notice:**

Reverse Battery polarities will lead to permanent damage to the dispenser.

**4. Operation Instructions:**

1. Close the dispenser cover.
2. Place hand below the dispenser. The sensor will activate and the motor will work . If you need more soap, repeat the movement a few times , must completely move hands out fm sensor at this times. (Fig. 8&9 )
3. When the soap cartridge is depleted, remove it directly and replace with a new one.
4. Soap cartridge must use corresponding model, other cartridge cannot operation and LED will blinking fast.
5. When batteries are low, LED will blinking every 3seconds. The dispenser is not working properly at this time. Replace 4 pcs Alkaline C size batteries. Do not mix fresh batteries with old ones.

8. Before installing the soap cartridge, to make sure the tip mechanical carriage is properly positioned at the bottom. (Fig. 7)



(Fig. 7)

**5. Maintenance Notes:**

1. Ensure no bright light source is aimed at the sensor from below.
2. Cleaning should be performed daily with a soft cloth and non-abrasive, no-caustic cleaning fluid. Avoid flusing under unning water, which will cause the electronics to malfunction.
3. The soap cartridge carriage must be at the bottom. The cartridge's tip cannot be properly installed if it is stuck at the top. When this happens, remove the carriage to bottom position.

**6. Troubleshooting:**

Problem	Solution
Dispenser cannot work and LED not light.	Check the cover of dispenser properly closed.
	Check batteries, ensure they are new and properly inserted.
	Check sensor cover for stain. Clean unit properly.
	Sensor is activated constantly. Remove the object below the sensor.
LED blinking when unit is not being used.	Check batteries, ensure they are new and properly inserted.
LED blinking fast When install soap cartridge.	Check soap cartridge model is correct.
	Check soap cartridge properly installed.
◆ For all other inquiries call your dealer for technical assistance.	