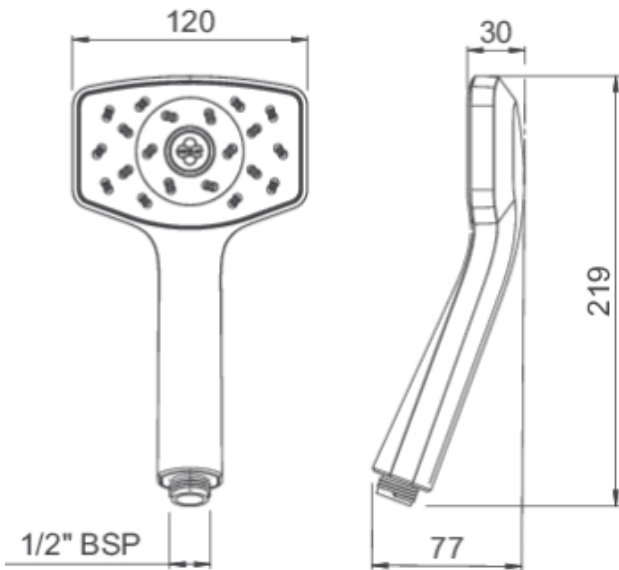


SATINJET® WAIPORI HANDSET



• Supplied with 9 l/min flow regulator

CONSTRUCTION: ABS
CARTRIDGE/VALVE TYPE: N/A
SUPPLY: Suitable for all plumbing systems
INLET CONNECTIONS: 1/2" BSP
WORKING PRESSURES: 0.35 - 5.0 bar
OPERATION:

WAHPCPUK

Open Outlet Flow (Bar - l/min)

BAR	0.3	0.5	1.0	2.0	3.0	4.0	5.0
HANDSET FLOW	8.0	9.3	9.0	9.0	9.0	9.0	9.0

Chrome & Graphite



1312050



Please Note: Flow rate will be dictated by installation configurations.
 Please ensure to check the appropriate flow restrictor information if applicable.
 *Please refer to website for full warranty details.

FREEPHONE: 0800 195 1602 | FAX ORDERS: 08444 068 690 | EMAIL: SALES@UK.METHVEN.

THE INFORMATION ON THIS SPECIFICATION DOCUMENT WAS CORRECT AT THE DATE OF ISSUE. SOME VARIATION MAY OCCUR DUE TO THE MANUFACTURING TOLERANCES AND SITE SPECIFIC CONDITIONS.