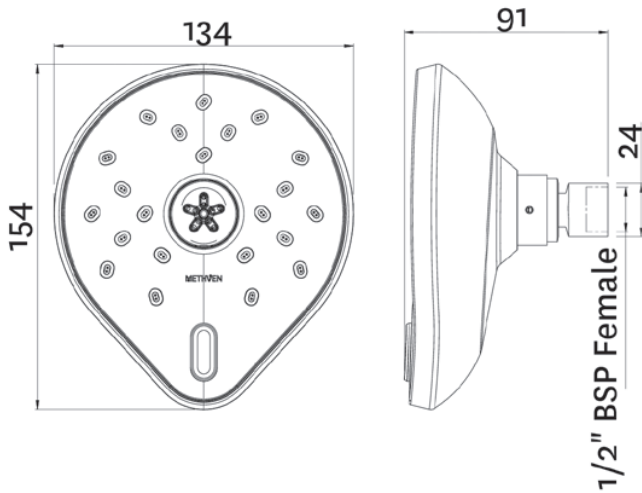


## KAHA CHROME SHOWER ROSE



**CONSTRUCTION:** ABS

**SUPPLY:** Suitable for all plumbing systems

**INLET CONNECTIONS:** 1/2" BSP

**WORKING PRESSURES:** 0.35 - 5.0 bar

- Satinjet® technology twin jets of water collide into thousands of tiny droplets to deliver voluminous shower coverage
- Swivel joint
- Two types of spray - Satinjet® body shower or massage
- Water efficient without compromising performance
- Fitted with 9 l/min flow regulator

**KHWSCPUK**

**Chrome**

**Open Outlet Flow** (Bar - l/min)

BAR	0.3	0.5	1.0	2.0	3.0	4.0	5.0
HANSET FLOW	8	9.6	9	9	9	9	9



Please Note: Flow rate will be dictated by installation configurations.  
 Please ensure to check the appropriate flow restrictor information if applicable.  
 \*Please refer to website for full warranty details.

**FREEPHONE: 0800 195 1602 | FAX ORDERS: 08444 068 690 | EMAIL: SALES@UK.METHVEN.COM**

[methven.com](http://methven.com)

THE INFORMATION ON THIS SPECIFICATION DOCUMENT WAS CORRECT AT THE DATE OF ISSUE. SOME VARIATION MAY OCCUR DUE TO THE MANUFACTURING TOLERANCES AND SITE SPECIFIC CONDITIONS.