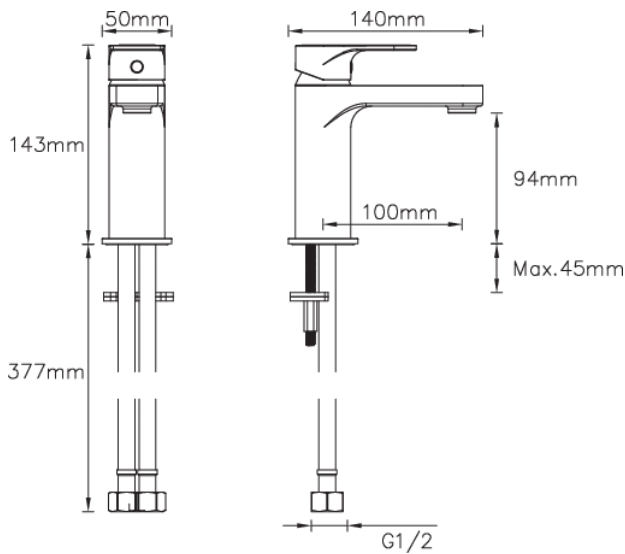


BREEZE BASIN MIXER BLACK



CONSTRUCTION: Brass

CARTRIDGE/VALVE TYPE: Ceramic Disc

SUPPLY: Suitable for high pressure only

INLET CONNECTIONS: 1/2" BSP

WORKING PRESSURES: 0.5 - 5.0 bar

OPERATION: Single lever flow and temperature control

- Ceramic cartridge for smooth operation
- Includes Clicker Waste
- Twin stud clamp kit
- Dezincification Resistant (DR) brass bodies last longer and help maintain water quality
- Products which are easy to use by all the family

BRBBKUK

Matte Black

Open Outlet Flow (Bar - l/min)

BAR	0.3	0.5	1.0	2.0	3.0	4.0	5.0
SPOUT FLOW	4.2	5.5	7.8	9.5	14	16.2	18



1505011



Please Note: Flow rate will be dictated by installation configurations.
 Please ensure to check the appropriate flow restrictor information if applicable.
 *Please refer to website for full warranty details.

FREEPHONE: 0800 195 1602 | FAX ORDERS: 08444 068 690 | EMAIL: SALES@UK.METHVEN.COM

methven.com

THE INFORMATION ON THIS SPECIFICATION DOCUMENT WAS CORRECT AT THE DATE OF ISSUE. SOME VARIATION MAY OCCUR DUE TO THE MANUFACTURING TOLERANCES AND SITE SPECIFIC CONDITIONS.