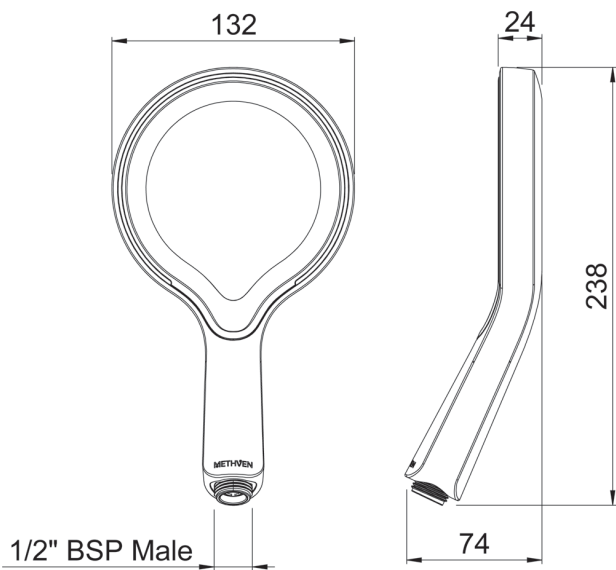


AURAJET™ AIO HANDSET



CONSTRUCTION: ABS
CARTRIDGE/VALVE TYPE: N/A
SUPPLY: Suitable for high pressure only
INLET CONNECTIONS: 1/2" BSP
WORKING PRESSURES: 1.0 - 5.0 bar
OPERATION:

- Limescale resistant - hydrophobic properties resists the build up of limescale, fitted with 9 l/min flow regulator
- Water efficient without compromising performance

AOHSCPUK

Open Outlet Flow (Bar - l/min)

| BAR | 0.3 | 0.5 | 1.0 | 2.0 | 3.0 | 4.0 | 5.0 |
|--------------|-----|-----|-----|-----|-----|-----|-----|
| HANDSET FLOW | | | 9.0 | 9.0 | 9.0 | 9.0 | 9.0 |

Chrome



1503008



Please Note: Flow rate will be dictated by installation configurations.
 Please ensure to check the appropriate flow restrictor information if applicable.
 *Please refer to website for full warranty details.

FREEPHONE: 0800 195 1602 | FAX ORDERS: 08444 068 690 | EMAIL: SALES@UK.METHVEN.

THE INFORMATION ON THIS SPECIFICATION DOCUMENT WAS CORRECT AT THE DATE OF ISSUE. SOME VARIATION MAY OCCUR DUE TO THE MANUFACTURING TOLERANCES AND SITE SPECIFIC CONDITIONS.