



# MASTER LEDspot LV

MASTER LEDspotLV VLE D 6.3-35W 840 MR16 36D

Delivering a warm, halogen-like accent beam, MASTER LEDspot LV is an ideal retrofit solution for spot and general lighting applications in the hospitality industry. It is particularly suited to public areas such as receptions, lobbies, corridors, stairwells and washrooms, where the light is on all the time. The robustly designed MASTER LEDspot offers a choice of beam angles for a clearly defined beam spread. There is no UV or IR in the beam, making it suitable for illuminating heat-sensitive objects (food, organic materials, paintings, etc.). The patented intelligent driver enables broad compatibility with existing electromagnetic and electronic halogen transformers. The dimmable versions drive further efficiencies, while helping to create the desired atmosphere.

## Product data

### • General Characteristics

Cap-Base	GU5.3
Bulb	MR16 [MR 16inch/50mm]
Rated Lifetime	25000 hr
Nominal Lifetime hours	25000 hr

### • Light Technical Characteristics

Colour Code	840
Colour Designation	White
Beam Angle	36 D
Beam Description	36D [Medium beam]
Correlated Colour Temperature	4000 K
Luminous Flux	410 Lm
Luminous Intensity	1000 cd
Colour rendering index	80
Luminous Efficacy Lamp	65.00 Lm/W
Colour Temperature	4000 K [CCT 4000K]
Rated Luminous Flux	410 Lm
LLMF - end nominal lifetime	70 %
Colour consistency	6 steps
Rated Beam Angle	36 D
Luminous flux in 90° cone	410 Lm

### • Electrical Characteristics

Wattage	6.3 W
Wattage Technical	6.3 W
Voltage	12 V
Power Factor	0.7 -
Lamp Current mA	800 mA

Dimmable	Yes
Wattage Equivalent	35 W
Rated Wattage	6.3 W
Starting Time	0.5 (max) s
Warm-up Time to 60% Light Outp	instant full light
Suitable for accent lighting	Yes

### • Temperature Characteristics

T-case maximum	100 (max) C
----------------	-------------

### • Environmental characteristics

Energy Efficiency Label (EEL)	A
Energy consumption kWh/1000h	7 kWh

### • Measuring Conditions

Switching cycle	50000X
-----------------	--------

### • Product Dimensions

Overall Length C	50.5 mm
Diameter D	50.5 mm

### • Product Data

Order code	490310 00
Full product code	871869649031000
Full product name	MASTER LEDspotLV VLE D 6.3-35W 840 MR16 36D
Order product name	MAS LEDspotLV VLE D 6.3-35W 840 MR16 36D



# PHILIPS

# MASTER LEDspot LV

Pieces per pack 1  
Packing configuration 10  
Packs per outerbox 10  
Bar code on pack - EAN1 8718696490310

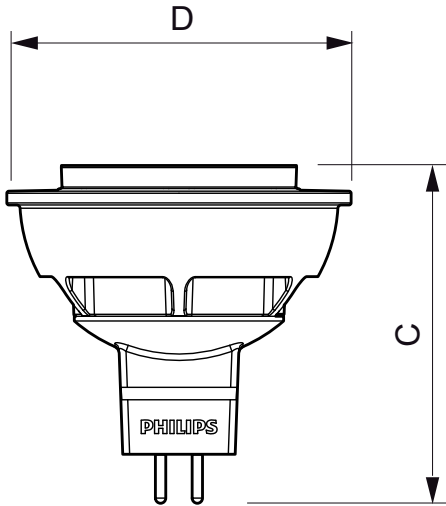
Bar code on outerbox - EAN3 8718696490327  
Logistic code(s) - 12NC 929001152302  
Net weight per piece 0.045 kg

## Warnings and Safety

- Operating temperature range is between -20° C and 45° C ambient

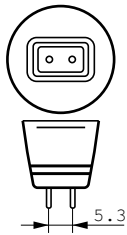
- Only to apply in dry or damp locations and most of open fixtures with lamp-holders that offer sufficient space (10 mm free air space)
- Not intended for use with emergency light fixtures or exit lights

## Dimensional drawing



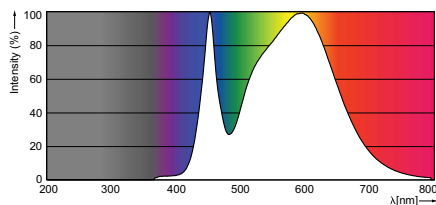
## MASTER LEDspotLV VLE D 6.3-35W 840 MR16 36D

Product	C (Norm)	D (Norm)
LED VLE D 6.3-35W 840 MR16 36D	50.5	50.5



GU5.3

## Photometric data



VLE D 6.3-35 W GU5.3 /840 MR16

2015, October 17  
data subject to change



© 2015 Koninklijke Philips N.V. (Royal Philips)  
All rights reserved.

Specifications are subject to change without notice. Trademarks are the property of  
Koninklijke Philips N.V. (Royal Philips) or their respective owners.

[www.philips.com/lighting](http://www.philips.com/lighting)

2015, October 17  
data subject to change