



# The new generation of energy saving tube lighting

## MASTER LEDtube Value

The Philips MASTER LEDtube integrates a LED light source into a traditional fluorescent form factor. Its unique design creates a perfectly uniform visual appearance which cannot be distinguished from traditional fluorescent. This product is the ideal solution for up lamping in general lighting applications.

### Benefits

- Reduced operational cost thanks to lower energy consumption
- Lower maintenance cost thanks to 2-3 times longer lifetime than normal fluorescent tubes
- Fastest and easiest way to upgrade existing luminaire to LED technology; 100%- safe installation process

### Features

- Only 50% energy consumption compared to fluorescent tubes
- Extra-long life of 40,000 hours
- Retrofit to existing T8 lamps on EM or HF electronic gear
- Full safety features and EM Protector safety device
- No mercury

### Application

- Car parks
- Warehouses
- Transport and distribution areas
- Front & back of house retail & hospitality

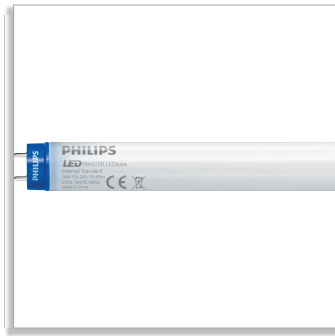


**PHILIPS**

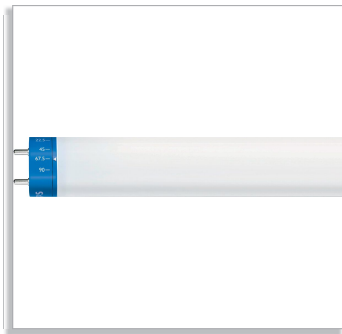
Related products



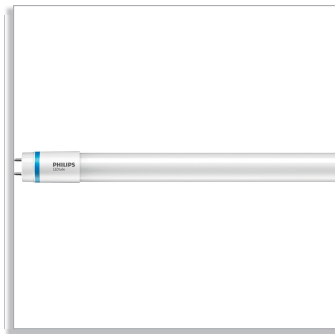
LEDcontrol



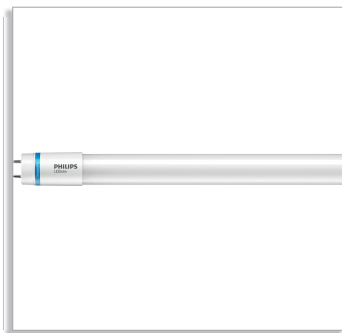
MASTER LEDtube T8 G13



MASTER LEDtube GA 300 & GA110 ROT



MASTER LEDtube VLE 600 mm, 1200 mm, 1500 mm

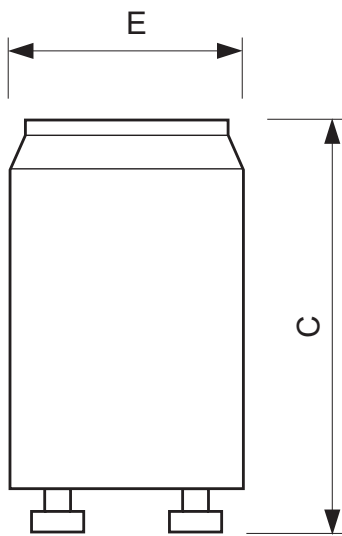


MASTER LEDtube VALUE HF 1200 mm

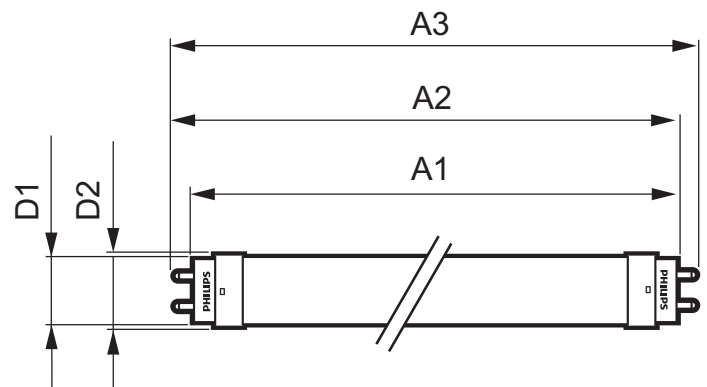


MASTER LEDtube Starter EMP 050 CP

Dimensional drawing



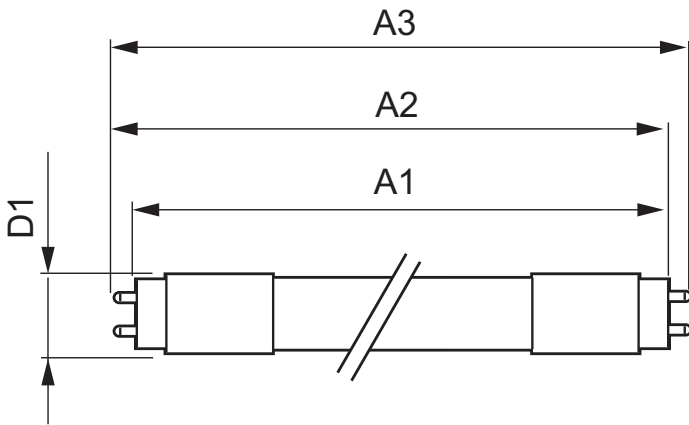
LEDcontrol 6-20 GMT+1 sa su off 20x10



MASTE

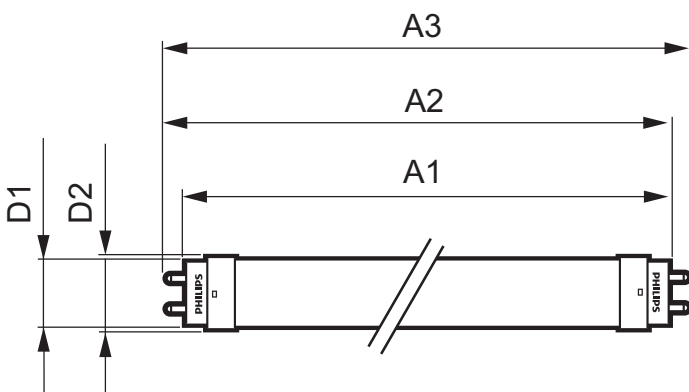
| Product    |
|------------|
| TLED IN T8 |
| TLED IN T8 |
| TLED IN T8 |
| TLED IN T8 |
| TLED IN T8 |
| TLED IN T8 |
| TLED IN T8 |
| TLED IN T8 |
| TLED IN T8 |

Dimensional drawing



**MASTER LEDtube VLE HF 1200mm 16.5W840 T8 C**

| Product                                | A1 (Norm) | A2 (Norm) | A3 (Norm) | D1 (Norm) | D2 (Norm) |
|----------------------------------------|-----------|-----------|-----------|-----------|-----------|
| LEDtube VALUE HF 1200mm 16.5W/840 T8 C | 1198.0    | 1205.0    | 1212.0    | 25.68     | 27.8      |
| LEDtube VALUE HF 1200mm 16.5W/865 T8 C | 1198.0    | 1205.0    | 1212.0    | 25.68     | 27.8      |
| LEDtube VLE 1200mm 16W/840 T8 C        | 1198.0    | 1205.0    | 1212.0    | 25.68     | 28        |
| LEDtube VLE 1200mm 16W/865 T8 C        | 1198.0    | 1205.0    | 1212.0    | 25.68     | 28        |
| LEDtube VLE 1200mm 20W/830 T8 C        | 1198.0    | 1205.0    | 1212.0    | 25.68     | 28        |
| LEDtube VLE 1200mm 20W/840 T8 C        | 1198.0    | 1205.0    | 1212.0    | 25.68     | 28        |
| LEDtube VLE 1200mm 20W/865 T8 C        | 1198.0    | 1205.0    | 1212.0    | 25.68     | 28        |
| LEDtube VLE 600mm 10W/830 T8 C         | 588.5     | 595.5     | 602.5     | 25.68     | 28        |
| LEDtube VLE 600mm 10W/840 T8 C         | 588.5     | 595.5     | 602.5     | 25.68     | 28        |
| LEDtube VLE 600mm 10W/865 T8 C         | 588.5     | 595.5     | 602.5     | 25.68     | 28        |
| LEDtube VLE 1500mm 20W/840 T8 C        | 1500.0    | 1507.1    | 1514.2    | 25.68     | 28        |
| LEDtube VLE 1500mm 20W/865 T8 C        | 1500.0    | 1507.1    | 1514.2    | 25.68     | 28        |

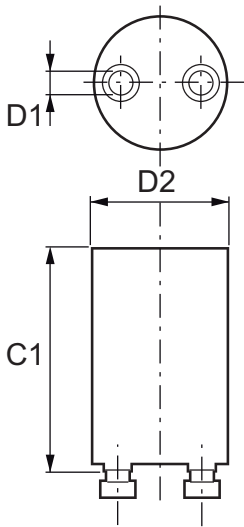


**MASTER LEDtube GA110 600mm 10W 840 I ROT**

| Product                            | A1 (Norm) | A2 (Norm) | A3 (Norm) | D1 (Norm) | D2 (Norm) |
|------------------------------------|-----------|-----------|-----------|-----------|-----------|
| LEDtube GA110 600mm 10W 840 I ROT  | 588.5     | 595.5     | 602.5     | 25.68     | 28        |
| LEDtube GA110 1200mm 19W 840 I ROT | 1198.0    | 1205.0    | 1212.0    | 25.68     | 28        |
| LEDtube GA110 1500mm 24W 840 I ROT | 1500.0    | 1507.1    | 1514.2    | 25.68     | 28        |

TLED IN  
T8  
TLED IN  
T8  
TLED IN  
T8  
TLED IN  
T8

Dimensional drawing



MASTER LEDtube Starter EMP

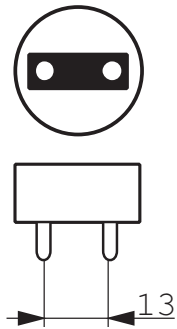
| Product                    | A1 (Norm) | B1 (Norm) | C1 (Norm) | D1 (Norm) | D2 (Norm) |
|----------------------------|-----------|-----------|-----------|-----------|-----------|
| MASTER LEDtube Starter EMP | -         | -         | 34.5      | 3         | 21.5      |

General Characteristics

| Order code | Full product name                         | Cap-Base | Rated Life-time |
|------------|-------------------------------------------|----------|-----------------|
| 238683 00  | MASTER LEDtube GA110 600mm 10W 840 C      | G13      | 40000 hr        |
| 238768 00  | MASTER LEDtube GA110 600mm 10W 840 I      | G13      | 40000 hr        |
| 238706 00  | MASTER LEDtube GA110 600mm 10W 865 C      | G13      | 40000 hr        |
| 238805 00  | MASTER LEDtube GA110 900mm 15W 840 C      | G13      | 40000 hr        |
| 238829 00  | MASTER LEDtube GA110 900mm 15W 865 C      | G13      | 40000 hr        |
| 238447 00  | MASTER LEDtube GA110 1200mm 19W 840 I     | G13      | 40000 hr        |
| 238560 00  | MASTER LEDtube GA110 1200mm 19W 840 C     | G13      | 40000 hr        |
| 238461 00  | MASTER LEDtube GA110 1200mm 19W 865 I     | G13      | 40000 hr        |
| 238485 00  | MASTER LEDtube GA110 1500mm 24W 840 I     | G13      | 40000 hr        |
| 238607 00  | MASTER LEDtube GA110 1500mm 24W 840 C     | G13      | 40000 hr        |
| 238508 00  | MASTER LEDtube GA110 1500mm 24W 865 I     | G13      | 40000 hr        |
| 238621 00  | MASTER LEDtube GA110 1500mm 24W 865 C     | G13      | 40000 hr        |
| 662334 00  | MASTER LEDtube GA110 600mm 10W 840 I ROT  | G13 ROT  | 40000 hr        |
| 662358 00  | MASTER LEDtube GA110 1200mm 19W 840 I ROT | G13 ROT  | 40000 hr        |

| Order code | Full product name                          | Cap-Base | Rated Life-time |
|------------|--------------------------------------------|----------|-----------------|
| 662372 00  | MASTER LEDtube GA110 1500mm 24W 840 I ROT  | G13 ROT  | 40000 hr        |
| 728283 00  | MASTER LEDtube VLE 1200mm 16W840 T8 C      | G13      | 40000 hr        |
| 728306 00  | MASTER LEDtube VLE 1200mm 16W865 T8 C      | G13      | 40000 hr        |
| 740834 00  | MASTER LEDtube VLE 1200mm 20W830 T8C       | G13      | 40000 hr        |
| 735236 00  | MASTER LEDtube VLE 1200mm 20W840 T8C       | G13      | 40000 hr        |
| 735250 00  | MASTER LEDtube VLE 1200mm 20W865 T8C       | G13      | 40000 hr        |
| 735274 00  | MASTER LEDtube VLE 600mm 10W830 T8C        | G13      | 40000 hr        |
| 735298 00  | MASTER LEDtube VLE 600mm 10W840 T8C        | G13      | 40000 hr        |
| 735311 00  | MASTER LEDtube VLE 600mm 10W865 T8C        | G13      | 40000 hr        |
| 734512 00  | MASTER LEDtube VLE 1500mm 20W840 T8C       | G13      | 40000 hr        |
| 734536 00  | MASTER LEDtube VLE 1500mm 20W865 T8C       | G13      | 40000 hr        |
| 728856 00  | MASTER LEDtube VLE HF 1200mm 16.5W840 T8 C | G13      | 40000 hr        |
| 728870 00  | MASTER LEDtube VLE HF 1200mm 16.5W865 T8 C | G13      | 40000 hr        |

Installation diagrams



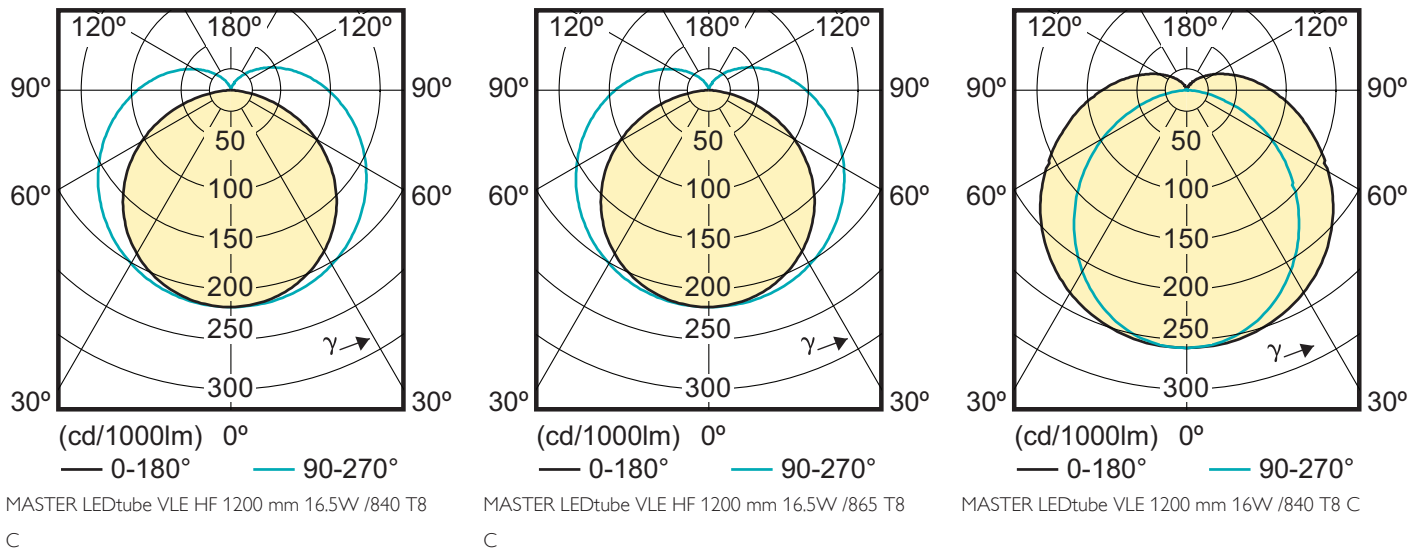
G13

Light Technical Characteristics

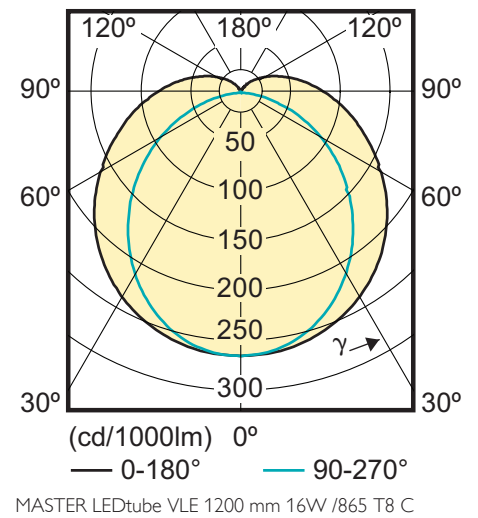
| Order code | Full product name                         | Colour Code | Beam Angle | Luminous Intensity | Colour rendering index | Rated Luminous Flux | LLMF - end nominal life-time | Rated Beam Angle |
|------------|-------------------------------------------|-------------|------------|--------------------|------------------------|---------------------|------------------------------|------------------|
| 238683 00  | MASTER LEDtube GA110 600mm 10W 840 C      | 840         | 140 D      | cd                 | 83                     | 825 Lm              | 70 %                         | 140 D            |
| 238768 00  | MASTER LEDtube GA110 600mm 10W 840 I      | 840         | 140 D      | cd                 | 83                     | 825 Lm              | 70 %                         | 140 D            |
| 238706 00  | MASTER LEDtube GA110 600mm 10W 865 C      | 865         | 140 D      | cd                 | 83                     | 825 Lm              | 70 %                         | 140 D            |
| 238805 00  | MASTER LEDtube GA110 900mm 15W 840 C      | 840         | 140 D      | cd                 | 83                     | 1265 Lm             | 70 %                         | 140 D            |
| 238829 00  | MASTER LEDtube GA110 900mm 15W 865 C      | 865         | 140 D      | cd                 | 83                     | 1265 Lm             | 70 %                         | 140 D            |
| 238447 00  | MASTER LEDtube GA110 1200mm 19W 840 I     | 840         | 140 D      | cd                 | 83                     | 1650 Lm             | 70 %                         | 140 D            |
| 238560 00  | MASTER LEDtube GA110 1200mm 19W 840 C     | 840         | 140 D      | cd                 | 83                     | 1650 Lm             | 70 %                         | 140 D            |
| 238461 00  | MASTER LEDtube GA110 1200mm 19W 865 I     | 865         | 140 D      | cd                 | 83                     | 1650 Lm             | 70 %                         | 140 D            |
| 238485 00  | MASTER LEDtube GA110 1500mm 24W 840 I     | 840         | 140 D      | cd                 | 83                     | 2065 Lm             | 70 %                         | 140 D            |
| 238607 00  | MASTER LEDtube GA110 1500mm 24W 840 C     | 840         | 140 D      | cd                 | 83                     | 2065 Lm             | 70 %                         | 140 D            |
| 238508 00  | MASTER LEDtube GA110 1500mm 24W 865 I     | 865         | 140 D      | cd                 | 83                     | 2065 Lm             | 70 %                         | 140 D            |
| 238621 00  | MASTER LEDtube GA110 1500mm 24W 865 C     | 865         | 140 D      | cd                 | 83                     | 2065 Lm             | 70 %                         | 140 D            |
| 662334 00  | MASTER LEDtube GA110 600mm 10W 840 I ROT  | 840         | 140 D      | cd                 | 83                     | 825 Lm              | 70 %                         | 140 D            |
| 662358 00  | MASTER LEDtube GA110 1200mm 19W 840 I ROT | 840         | 140 D      | cd                 | 83                     | 1650 Lm             | 70 %                         | 140 D            |
| 662372 00  | MASTER LEDtube GA110 1500mm 24W 840 I ROT | 840         | 140 D      | cd                 | 83                     | 2065 Lm             | 70 %                         | 140 D            |
| 728283 00  | MASTER LEDtube VLE 1200mm 16W840 T8 C     | 840         | 140 D      | cd                 | 85                     | 1600 Lm             | 70 %                         | 140 D            |

| Order code | Full product name                          | Colour Code | Beam Angle | Luminous Intensity | Colour rendering index | Rated Luminous Flux | LLMF - end nominal life-time | Rated Beam Angle |
|------------|--------------------------------------------|-------------|------------|--------------------|------------------------|---------------------|------------------------------|------------------|
| 728306 00  | MASTER LEDtube VLE 1200mm 16W865 T8 C      | 865         | 140 D      | cd                 | 85                     | 1600 Lm             | 70 %                         | 140 D            |
| 740834 00  | MASTER LEDtube VLE 1200mm 20W830 T8C       | 830         | 150 D      | cd                 | 83                     | 2000 Lm             | 70 %                         | 150 D            |
| 735236 00  | MASTER LEDtube VLE 1200mm 20W840 T8C       | 840         | 150 D      | cd                 | 83                     | 2100 Lm             | 70 %                         | 150 D            |
| 735250 00  | MASTER LEDtube VLE 1200mm 20W865 T8C       | 865         | 150 D      | cd                 | 83                     | 2100 Lm             | 70 %                         | 150 D            |
| 735274 00  | MASTER LEDtube VLE 600mm 10W830 T8C        | 830         | 150 D      | cd                 | 83                     | 1000 Lm             | 70 %                         | 150 D            |
| 735298 00  | MASTER LEDtube VLE 600mm 10W840 T8C        | 840         | 150 D      | cd                 | 83                     | 1050 Lm             | 70 %                         | 150 D            |
| 735311 00  | MASTER LEDtube VLE 600mm 10W865 T8C        | 865         | 150 D      | cd                 | 83                     | 1050 Lm             | 70 %                         | 150 D            |
| 734512 00  | MASTER LEDtube VLE 1500mm 20W840 T8C       | 840         | 150 D      | cd                 | 83                     | 2000 Lm             | 70 %                         | 150 D            |
| 734536 00  | MASTER LEDtube VLE 1500mm 20W865 T8C       | 865         | 150 D      | cd                 | 83                     | 2000 Lm             | 70 %                         | 150 D            |
| 728856 00  | MASTER LEDtube VLE HF 1200mm 16.5W840 T8 C | 840         | 160 D      | cd                 | 83                     | 1600 Lm             | 70 %                         | 160 D            |
| 728870 00  | MASTER LEDtube VLE HF 1200mm 16.5W865 T8 C | 865         | 160 D      | cd                 | 83                     | 1600 Lm             | 70 %                         | 160 D            |

Light technical



Light technical



Electrical Characteristics

| Order code | Full product name                          | Wattage | Voltage   | Line Frequency | Dimmable | Rated Wattage | Starting Time |
|------------|--------------------------------------------|---------|-----------|----------------|----------|---------------|---------------|
| 238683 00  | MASTER LEDtube GA110 600mm 10W 840 C       | 10 W    | 100-240 V | 50/60 Hz       | No       | 10 W          | 0.5 (max) s   |
| 238768 00  | MASTER LEDtube GA110 600mm 10W 840 I       | 10 W    | 100-240 V | 50/60 Hz       | No       | 10 W          | 0.5 (max) s   |
| 238706 00  | MASTER LEDtube GA110 600mm 10W 865 C       | 10 W    | 100-240 V | 50/60 Hz       | No       | 10 W          | 0.5 (max) s   |
| 238805 00  | MASTER LEDtube GA110 900mm 15W 840 C       | 15 W    | 100-240 V | 50/60 Hz       | No       | 15 W          | 0.5 (max) s   |
| 238829 00  | MASTER LEDtube GA110 900mm 15W 865 C       | 15 W    | 100-240 V | 50/60 Hz       | No       | 15 W          | 0.5 (max) s   |
| 238447 00  | MASTER LEDtube GA110 1200mm 19W 840 I      | 19 W    | 100-240 V | 50/60 Hz       | No       | 19 W          | 0.5 (max) s   |
| 238560 00  | MASTER LEDtube GA110 1200mm 19W 840 C      | 19 W    | 100-240 V | 50/60 Hz       | No       | 19 W          | 0.5 (max) s   |
| 238461 00  | MASTER LEDtube GA110 1200mm 19W 865 I      | 19 W    | 100-240 V | 50/60 Hz       | No       | 19 W          | 0.5 (max) s   |
| 238485 00  | MASTER LEDtube GA110 1500mm 24W 840 I      | 24 W    | 100-240 V | 50/60 Hz       | No       | 24 W          | 0.5 (max) s   |
| 238607 00  | MASTER LEDtube GA110 1500mm 24W 840 C      | 24 W    | 100-240 V | 50/60 Hz       | No       | 24 W          | 0.5 (max) s   |
| 238508 00  | MASTER LEDtube GA110 1500mm 24W 865 I      | 24 W    | 100-240 V | 50/60 Hz       | No       | 24 W          | 0.5 (max) s   |
| 238621 00  | MASTER LEDtube GA110 1500mm 24W 865 C      | 24 W    | 100-240 V | 50/60 Hz       | No       | 24 W          | 0.5 (max) s   |
| 662334 00  | MASTER LEDtube GA110 600mm 10W 840 I ROT   | 10 W    | 100-240 V | 50/60 Hz       | No       | 10 W          | 0.5 (max) s   |
| 662358 00  | MASTER LEDtube GA110 1200mm 19W 840 I ROT  | 19 W    | 100-240 V | 50/60 Hz       | No       | 19 W          | 0.5 (max) s   |
| 662372 00  | MASTER LEDtube GA110 1500mm 24W 840 I ROT  | 24 W    | 100-240 V | 50/60 Hz       | No       | 24 W          | 0.5 (max) s   |
| 728283 00  | MASTER LEDtube VLE 1200mm 16W840 T8 C      | 16 W    | 220-240 V | 50/60 Hz       | No       | 16.0 W        | 0.5 (max) s   |
| 728306 00  | MASTER LEDtube VLE 1200mm 16W865 T8 C      | 16 W    | 220-240 V | 50/60 Hz       | No       | 16.0 W        | 0.5 (max) s   |
| 740834 00  | MASTER LEDtube VLE 1200mm 20W830 T8C       | 20 W    | 220-240 V | 50/60 Hz       | No       | 20 W          | 0.5 (max) s   |
| 735236 00  | MASTER LEDtube VLE 1200mm 20W840 T8C       | 20 W    | 220-240 V | 50/60 Hz       | No       | 20 W          | 0.5 (max) s   |
| 735250 00  | MASTER LEDtube VLE 1200mm 20W865 T8C       | 20 W    | 220-240 V | 50/60 Hz       | No       | 20 W          | 0.5 (max) s   |
| 735274 00  | MASTER LEDtube VLE 600mm 10W830 T8C        | 10 W    | 220-240 V | 50/60 Hz       | No       | 10 W          | 0.5 (max) s   |
| 735298 00  | MASTER LEDtube VLE 600mm 10W840 T8C        | 10 W    | 220-240 V | 50/60 Hz       | No       | 10 W          | 0.5 (max) s   |
| 735311 00  | MASTER LEDtube VLE 600mm 10W865 T8C        | 10 W    | 220-240 V | 50/60 Hz       | No       | 10 W          | 0.5 (max) s   |
| 734512 00  | MASTER LEDtube VLE 1500mm 20W840 T8C       | 20 W    | 220-240 V | 50/60 Hz       | No       | 20 W          | 0.5 (max) s   |
| 734536 00  | MASTER LEDtube VLE 1500mm 20W865 T8C       | 20 W    | 220-240 V | 50/60 Hz       | No       | 20 W          | 0.5 (max) s   |
| 728856 00  | MASTER LEDtube VLE HF 1200mm 16.5W840 T8 C | 16.5 W  | 220-240 V | 50/60 Hz       | No       | 16.5 W        | 0.5 (max) s   |
| 728870 00  | MASTER LEDtube VLE HF 1200mm 16.5W865 T8 C | 16.5 W  | 220-240 V | 50/60 Hz       | No       | 16.5 W        | 0.5 (max) s   |
| 729280 00  | MASTER LEDtube Starter EMP                 | -       | -         | 50/60 Hz       | -        | -             | -             |

Temperature Characteristics

| Order code | Full product name                         | T-case maximum | Operating temperature | T-Storage             |
|------------|-------------------------------------------|----------------|-----------------------|-----------------------|
| 238683 00  | MASTER LEDtube GA110 600mm 10W 840 C      | 62 (max) C     | -30 (min), 45 (max) C | -40 (min), 65 (max) C |
| 238768 00  | MASTER LEDtube GA110 600mm 10W 840 I      | 62 (max) C     | -30 (min), 45 (max) C | -40 (min), 65 (max) C |
| 238706 00  | MASTER LEDtube GA110 600mm 10W 865 C      | 62 (max) C     | -30 (min), 45 (max) C | -40 (min), 65 (max) C |
| 238805 00  | MASTER LEDtube GA110 900mm 15W 840 C      | 62 (max) C     | -30 (min), 45 (max) C | -40 (min), 65 (max) C |
| 238829 00  | MASTER LEDtube GA110 900mm 15W 865 C      | 62 (max) C     | -30 (min), 45 (max) C | -40 (min), 65 (max) C |
| 238447 00  | MASTER LEDtube GA110 1200mm 19W 840 I     | 62 (max) C     | -30 (min), 45 (max) C | -40 (min), 65 (max) C |
| 238560 00  | MASTER LEDtube GA110 1200mm 19W 840 C     | 62 (max) C     | -30 (min), 45 (max) C | -40 (min), 65 (max) C |
| 238461 00  | MASTER LEDtube GA110 1200mm 19W 865 I     | 62 (max) C     | -30 (min), 45 (max) C | -40 (min), 65 (max) C |
| 238485 00  | MASTER LEDtube GA110 1500mm 24W 840 I     | 62 (max) C     | -30 (min), 45 (max) C | -40 (min), 65 (max) C |
| 238607 00  | MASTER LEDtube GA110 1500mm 24W 840 C     | 62 (max) C     | -30 (min), 45 (max) C | -40 (min), 65 (max) C |
| 238508 00  | MASTER LEDtube GA110 1500mm 24W 865 I     | 62 (max) C     | -30 (min), 45 (max) C | -40 (min), 65 (max) C |
| 238621 00  | MASTER LEDtube GA110 1500mm 24W 865 C     | 62 (max) C     | -30 (min), 45 (max) C | -40 (min), 65 (max) C |
| 662334 00  | MASTER LEDtube GA110 600mm 10W 840 I ROT  | 62 (max) C     | -30 (min), 45 (max) C | -40 (min), 65 (max) C |
| 662358 00  | MASTER LEDtube GA110 1200mm 19W 840 I ROT | 62 (max) C     | -30 (min), 45 (max) C | -40 (min), 65 (max) C |
| 662372 00  | MASTER LEDtube GA110 1500mm 24W 840 I ROT | 62 (max) C     | -30 (min), 45 (max) C | -40 (min), 65 (max) C |
| 728283 00  | MASTER LEDtube VLE 1200mm 16W840 T8 C     | 62 (max) C     | -30 (min), 45 (max) C | -40 (min), 65 (max) C |
| 728306 00  | MASTER LEDtube VLE 1200mm 16W865 T8 C     | 62 (max) C     | -30 (min), 45 (max) C | -40 (min), 65 (max) C |
| 740834 00  | MASTER LEDtube VLE 1200mm 20W830 T8C      | 55 (max) C     | -20 (min), 45 (max) C | -40 (min), 65 (max) C |
| 735236 00  | MASTER LEDtube VLE 1200mm 20W840 T8C      | 55 (max) C     | -20 (min), 45 (max) C | -40 (min), 65 (max) C |
| 735250 00  | MASTER LEDtube VLE 1200mm 20W865 T8C      | 55 (max) C     | -20 (min), 45 (max) C | -40 (min), 65 (max) C |

| Order code | Full product name                          | T-case maximum | Operating temperature | T-Storage             |
|------------|--------------------------------------------|----------------|-----------------------|-----------------------|
| 735274 00  | MASTER LEDtube VLE 600mm 10W830 T8C        | 55 (max) C     | -20 (min), 45 (max) C | -40 (min), 65 (max) C |
| 735298 00  | MASTER LEDtube VLE 600mm 10W840 T8C        | 55 (max) C     | -20 (min), 45 (max) C | -40 (min), 65 (max) C |
| 735311 00  | MASTER LEDtube VLE 600mm 10W865 T8C        | 55 (max) C     | -20 (min), 45 (max) C | -40 (min), 65 (max) C |
| 734512 00  | MASTER LEDtube VLE 1500mm 20W840 T8C       | 50 (max) C     | -20 (min), 45 (max) C | -40 (min), 65 (max) C |
| 734536 00  | MASTER LEDtube VLE 1500mm 20W865 T8C       | 50 (max) C     | -20 (min), 45 (max) C | -40 (min), 65 (max) C |
| 728856 00  | MASTER LEDtube VLE HF 1200mm 16.5W840 T8 C | 55 (max) C     | -20 (min), 45 (max) C | -40 (min), 65 (max) C |
| 728870 00  | MASTER LEDtube VLE HF 1200mm 16.5W865 T8 C | 55 (max) C     | -20 (min), 45 (max) C | -40 (min), 65 (max) C |

Environmental characteristics

| Order code | Full product name                          | Energy Efficiency Label (EEL) |
|------------|--------------------------------------------|-------------------------------|
| 238683 00  | MASTER LEDtube GA110 600mm 10W 840 C       | A+                            |
| 238768 00  | MASTER LEDtube GA110 600mm 10W 840 I       | A+                            |
| 238706 00  | MASTER LEDtube GA110 600mm 10W 865 C       | A+                            |
| 238805 00  | MASTER LEDtube GA110 900mm 15W 840 C       | A+                            |
| 238829 00  | MASTER LEDtube GA110 900mm 15W 865 C       | A+                            |
| 238447 00  | MASTER LEDtube GA110 1200mm 19W 840 I      | A+                            |
| 238560 00  | MASTER LEDtube GA110 1200mm 19W 840 C      | A+                            |
| 238461 00  | MASTER LEDtube GA110 1200mm 19W 865 I      | A+                            |
| 238485 00  | MASTER LEDtube GA110 1500mm 24W 840 I      | A+                            |
| 238607 00  | MASTER LEDtube GA110 1500mm 24W 840 C      | A+                            |
| 238508 00  | MASTER LEDtube GA110 1500mm 24W 865 I      | A+                            |
| 238621 00  | MASTER LEDtube GA110 1500mm 24W 865 C      | A+                            |
| 662334 00  | MASTER LEDtube GA110 600mm 10W 840 I ROT   | A+                            |
| 662358 00  | MASTER LEDtube GA110 1200mm 19W 840 I ROT  | A+                            |
| 662372 00  | MASTER LEDtube GA110 1500mm 24W 840 I ROT  | A+                            |
| 728283 00  | MASTER LEDtube VLE 1200mm 16W840 T8 C      | A+                            |
| 728306 00  | MASTER LEDtube VLE 1200mm 16W865 T8 C      | A+                            |
| 740834 00  | MASTER LEDtube VLE 1200mm 20W830 T8C       | A+                            |
| 735236 00  | MASTER LEDtube VLE 1200mm 20W840 T8C       | A+                            |
| 735250 00  | MASTER LEDtube VLE 1200mm 20W865 T8C       | A+                            |
| 735274 00  | MASTER LEDtube VLE 600mm 10W830 T8C        | A+                            |
| 735298 00  | MASTER LEDtube VLE 600mm 10W840 T8C        | A+                            |
| 735311 00  | MASTER LEDtube VLE 600mm 10W865 T8C        | A+                            |
| 734512 00  | MASTER LEDtube VLE 1500mm 20W840 T8C       | A+                            |
| 734536 00  | MASTER LEDtube VLE 1500mm 20W865 T8C       | A+                            |
| 728856 00  | MASTER LEDtube VLE HF 1200mm 16.5W840 T8 C | A                             |



| Order code | Full product name                          | Energy Efficiency Label (EEL) |
|------------|--------------------------------------------|-------------------------------|
| 728870 00  | MASTER LEDtube VLE HF 1200mm 16.5W865 T8 C | A                             |

### Measuring Conditions

| Order code | Full product name                     | Switching cycle |
|------------|---------------------------------------|-----------------|
| 238683 00  | MASTER LEDtube GA110 600mm 10W 840 C  | 50000X          |
| 238768 00  | MASTER LEDtube GA110 600mm 10W 840 I  | 50000X          |
| 238706 00  | MASTER LEDtube GA110 600mm 10W 865 C  | 50000X          |
| 238805 00  | MASTER LEDtube GA110 900mm 15W 840 C  | 50000X          |
| 238829 00  | MASTER LEDtube GA110 900mm 15W 865 C  | 50000X          |
| 238447 00  | MASTER LEDtube GA110 1200mm 19W 840 I | 50000X          |
| 238560 00  | MASTER LEDtube GA110 1200mm 19W 840 C | 50000X          |
| 238461 00  | MASTER LEDtube GA110 1200mm 19W 865 I | 50000X          |
| 238485 00  | MASTER LEDtube GA110 1500mm 24W 840 I | 50000X          |
| 238607 00  | MASTER LEDtube GA110 1500mm 24W 840 C | 50000X          |
| 238508 00  | MASTER LEDtube GA110 1500mm 24W 865 I | 50000X          |

| Order code | Full product name                          | Switching cycle |
|------------|--------------------------------------------|-----------------|
| 238621 00  | MASTER LEDtube GA110 1500mm 24W 865 C      | 50000X          |
| 662334 00  | MASTER LEDtube GA110 600mm 10W 840 I ROT   | 50000X          |
| 662358 00  | MASTER LEDtube GA110 1200mm 19W 840 I ROT  | 50000X          |
| 662372 00  | MASTER LEDtube GA110 1500mm 24W 840 I ROT  | 50000X          |
| 728283 00  | MASTER LEDtube VLE 1200mm 16W840 T8 C      | 50000X          |
| 728306 00  | MASTER LEDtube VLE 1200mm 16W865 T8 C      | 50000X          |
| 740834 00  | MASTER LEDtube VLE 1200mm 20W830 T8C       | 50000X          |
| 735236 00  | MASTER LEDtube VLE 1200mm 20W840 T8C       | 50000X          |
| 735250 00  | MASTER LEDtube VLE 1200mm 20W865 T8C       | 50000X          |
| 735274 00  | MASTER LEDtube VLE 600mm 10W830 T8C        | 50000X          |
| 735298 00  | MASTER LEDtube VLE 600mm 10W840 T8C        | 50000X          |
| 735311 00  | MASTER LEDtube VLE 600mm 10W865 T8C        | 50000X          |
| 734512 00  | MASTER LEDtube VLE 1500mm 20W840 T8C       | 50000X          |
| 734536 00  | MASTER LEDtube VLE 1500mm 20W865 T8C       | 50000X          |
| 728856 00  | MASTER LEDtube VLE HF 1200mm 16.5W840 T8 C | 50000X          |
| 728870 00  | MASTER LEDtube VLE HF 1200mm 16.5W865 T8 C | 50000X          |



© 2014 Koninklijke Philips N.V. (Royal Philips)  
All rights reserved.

Specifications are subject to change without notice. Trademarks are the property of Koninklijke Philips N.V. (Royal Philips) or their respective owners.

[www.philips.com/lighting](http://www.philips.com/lighting)

2014, May 5  
data subject to change