

CoreLine Tempo

BVP120 LED120/NW A



BVP120 - LED module 12,000 lm - Asymmetrical

CoreLine Tempo is the first outdoor solution in the CoreLine range. Designed to replace conventional installations, it offers lower power consumption and requires less investment. A limited range of options makes it easy to find the best lux-for-lux replacement.

Product data

• General information

Product family code	BVP120 [BVP120]
Number of light sources	162 [162 pcs]
Lamp family code	LED120 [LED module 12,000 lm]
Light source color	NW [Neutral white]
Light source replaceable	false [No]
Number of gear units	1 [1 unit]
Driver included	true [Yes]
Protection class IEC	I [Safety class I]
Ingress protection code	IP65 [Dust penetration-protected, jet-proof]
Mech. impact protection code	IK08 [5 J vandal-protected]
Optic type	A [Asymmetrical]
Optical cover/lens type	FG [Glass flat]
Standard RAL color	9007 [Gray aluminum]
Dimmable	No [No]
CE mark	CE [CE mark]
Constant light output	No [No]

• Light technical

Standard tilt angle posttop	0 [0°]
-----------------------------	--------

• Electrical

Input voltage	220-240 V [220 to 240 V]
Input frequency	50-60 Hz [50 to 60 Hz]
Driver current	700 mA [700 mA]
Power factor	0.95

• Mechanical

Housing material	ALU [Aluminum]
Optic material	PC [Polycarbonate]
Optical cover/lens material	G [Glass]

• Initial perform. (IEC compliant)

Initial input power	120 W [120 W]
Initial luminous flux	12000 Lm
Init. Corr. Color Temperature	4000 [4000 K]

• Over time perform. (IEC compliant)

Lifetime L80F10	50000 hr
Driver failure rate at 5000 h	0.1 %

• Application conditions

Average ambient temperature	T25 [+25 °C]
Ambient temperature range	-20 to +35°C [-20 to +35 °C]

• Product Data

Order code	911401649302
Full product code	911401649302
Full product name	BVP120 LED120/NW A
Order product name	BVP120 LED120/NW A
Pieces per pack	1
Packs per outerbox	1
Bar code on pack - EAN1	8710163295909

PHILIPS

CoreLine Tempo

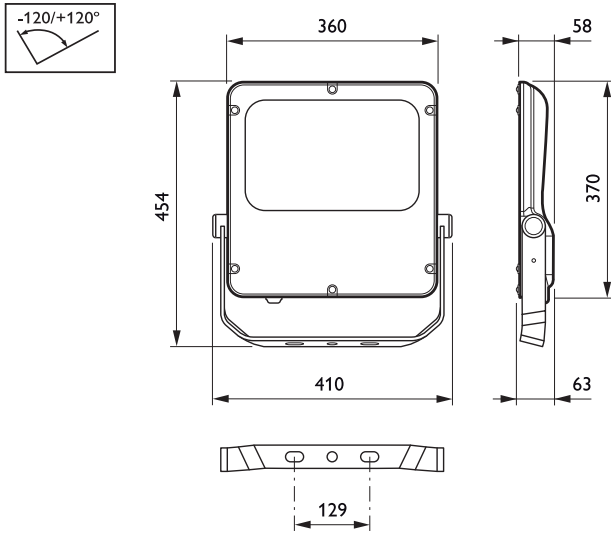
Bar code on
outerbox - EAN3
Logistic code(s) -
12NC

8710163295909
911401649302

Net weight per piece 6.600 kg



Dimensional drawing



BVP120 LED120/NW A



© 2014 Koninklijke Philips N.V. (Royal Philips)
All rights reserved.

Specifications are subject to change without notice. Trademarks are the property of Koninklijke Philips N.V. (Royal Philips) or their respective owners.

www.philips.com/lighting

2014, June 28
data subject to change