



INSTRUCTION SHEET

Z1-F/ 7W



Unit 2, The IO Centre
Hearle Way, Hatfield
AL10 9EW

Tel. 020 8492 7633
Fax. 020 8492 0333
E-mail. info@ecoledlight.co.uk

GENERAL INFORMATION

The Z1-F is an LED downlight (50W Halogen replacement) using 7W and incorporates the latest LED array technology. This entry-level 7W downlight is compact, energy efficient and maintenance free.

PRODUCT SPECIFICATIONS



The Z1-F is not suitable for covering with insulation materials.

IMPORTANT INFORMATION

ECOLED® recommends that installation should only be carried out by a qualified electrician ensuring the installation complies with current IEE wiring regulations & local building control.

ESSENTIAL ADVICE

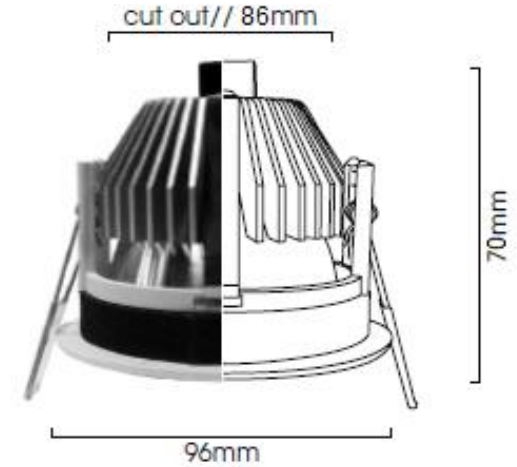
ISOLATE ELECTRICAL SUPPLY BEFORE COMMENCING WORK.

DO NOT SWITCH ON UNTIL ALL CONNECTIONS HAVE BEEN MADE AND PROPERLY CHECKED

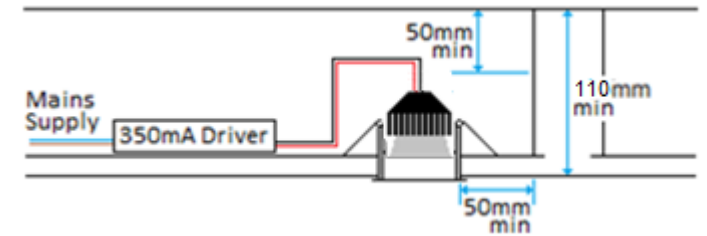
FITTING INSTRUCTIONS

- ① Cut an 86mm hole in the ceiling ensuring adequate minimum ceiling void (110mm) without infringing on joists, water pipes or cables.
- ② Make sure there is at least 50mm free air ventilation around the fitting (this is to ensure the Fitting is adequately able to cool itself).
- ③ Connect mains supply to the 350mA constant current driver. (Blue – Neutral / Brown – Live)
No earth is required, if an earth wire is present, ensure it is fully insulated and cannot contact live or neutral terminals.
- ④ When ready to fit the Z1-F connect the (Red - Positive⁺) and (Black - Negative⁻) wires to the DC output terminal of the 350mA driver.
- ⑤ Bend the sprung legs back, slide the driver into the ceiling followed by the Z1-F, and ensure it is secure.
- ⑥ Do not fit into new plaster or freshly painted area's until completely dry.
- ⑦ Remember to ensure that all units are connected before switching on the power or you may severely damage the LEDs.

PRODUCT DIMENSIONS



INSTALLATION DIAGRAM



GUARANTEE

The guarantee is invalid if the luminaire is improperly used installed or tampered with. Installed in an improper working environment or does not comply with current IEE wiring regulations.
Should this luminaire fail within the guarantee period it will be replaced free of charge, subject to conditions above and return of the faulty unit.

ECOLED® does not accept responsibility for any installation costs associated with the replacement of this luminaire. ECOLED® reserves the right to alter specifications without prior notice.
ECOLED® does not accept any responsibility for claims arising from poor installation.
The ECOLED® product warranty is available at the following web address:
<http://www.ecoledlight.co.uk/terms-conditions/>